

# SONICA® 5200



21  
LITRES

## General characteristics

**Ultrasonic Cleaning** is a safe and efficient modern procedure, which ensures perfect cleaning within the shortest time possible. It has many advantages over ordinary cleaning methods. Ultrasonics can remove even the most tenacious deposits from parts which would be difficult to reach by hand, it also reduces the risk of injury or infection which may occur during manual cleaning



### Tank Dimensions

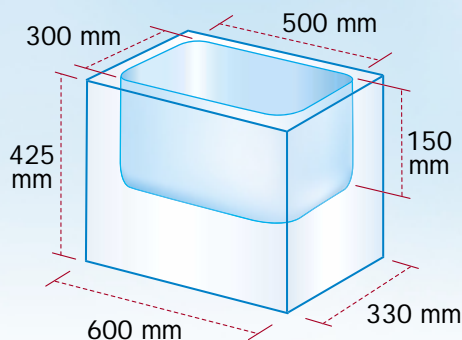
<b>Length</b>	500 mm
<b>Breadth</b>	300 mm
<b>Depth</b>	150 mm
<b>Capacity</b>	21 litres

### External Dimensions

<b>Length</b>	600 mm
<b>Breadth</b>	330 mm
<b>Height</b>	425 mm
<b>Weight</b>	about 14 kg

### Constructive Materials

<b>External</b>	Steel AISI 304
<b>Internal</b>	Steel AISI 304



**CE** EMC 89/336/CEE (EN 55011B)  
 LV 73/23/CEE (EN 61010-1)  
 MD 93/42/CEE Medical Devices

**21**  
LITRES

# SONICA® 5200

## Technical Data

Main line voltage	<b>230/240 V ~50/60Hz</b>
Main input power/consumption	<b>400 W</b>
Main input power w/heating	<b>1400 W</b>
Peak HF ultrasound power	<b>800 W</b>
US fequency	<b>40 khz ± 5%</b>
Liquid drain	<b>di serie 1/2"</b>
Transducers	<b>6</b>

**Environmental conditions:** Temperature

Rel. Hum. 80% up to 31°C. with linear decrease up to 50% at 40°C

**Installation category:** Class II according to EN 61010

**Notes for use as "Medical Devices":**

**Denomination:** Ultrasonic Cleaning Device

UMDNS-nomenclature (ECRI) 14-263

**Field of application:** cleaning and disinfection of surgical and dental instruments

**Classification** ((Medical Devices Directive 93/42/EEC, appendix IX):

Class I, Non Active MD, Non Invasive MD, Non Implantable MD

## AVAILABLE SERIES



**Version M** The simplest version in the SONICA® range is equipped with a timer which can be set for to 15 minutes. It can also be set to manual operation..



**Version MH** This is equipped with a timer wich can be set for un to 15 minutes and can also be set to manual operation. The Thermostat for the heater is set at 60°C.



**Version ETH** Cleaning times and temperatures controlled electronically by a microprocessor. Waterproof control panel.



**Version EP** The most technologically advanced of the SONICA® range: new Sweep system generator; modern digital display control panel windows; degas time setting; cleaning times from 0 to 99 minutes; tank liquid temperature setting up to 70°C; memory for 9 cleaning programmes; **jet program** function to start quickly and easily cleaning cycle.

Technical specification subject to change.