

SONICA® 90L EP



90
LITRES

General characteristics

Ultrasonic Cleaning is a safe and efficient modern procedure, which ensures perfect cleaning within the shortest time possible. It has many advantages over ordinary cleaning methods. Ultrasonics can remove even the most tenacious deposits from parts which would be difficult to reach by hand, it also reduces the risk of injury or infection which may occur during manual cleaning

90 LITRES SONICA® 90L EP

Technical Data

Main line voltage	230/240 V ~50/60Hz
Main input power/consumption	1000 W
Main input power w/heating	3000 W
Peak HF ultrasound power	2000 W
US fequency	40 khz ± 5%
Liquid drain	di serie 1/2"
Transducers	20

Environmental conditions: Temperature
Rel. Hum. 80% up to 31°C. with linear decrease up to 50% at 40°C
Installation category: Class II according to EN 61010

Notes for use as "Medical Devices":

Denomination: Ultrasonic Cleaning Device
UMDNS-nomenclature (ECRI) 14-263

Field of application: cleaning and disinfection of surgical and dental instruments

Classification ((Medical Devices Directive 93/42/EEC, appendix IX):
Class I, Non Active MD, Non Invasive MD, Non Implantable MD

AVAILABLE SERIES



Version EP The most technologically advanced of the SONICA® range: new Sweep system generator; modern digital display control panel windows; degas time setting; cleaning times from 0 to 99 minutes; tank liquid temperature setting up to 70°C; memory for 9 cleaning programmes; **jet program** function to start quickly and easily cleaning cycle.



Tank Dimensions

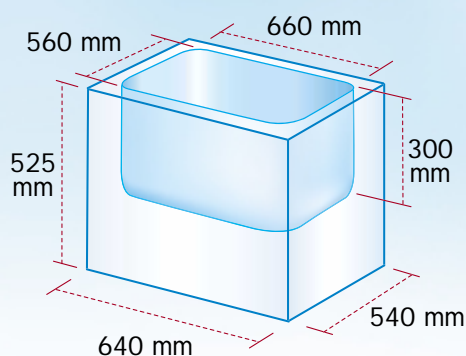
Length	600 mm
Breadth	500 mm
Depth	300 mm
Capacity	90 litres

External Dimensions

Length	660 mm
Breadth	560 mm
Height	525 mm
Weight	about 40 kg

Constructive Materials

External	Steel AISI 304
Internal	Steel AISI 316Ti 20/10



CE EMC 89/336/CEE (EN 55011B)
LV 73/23/CEE (EN 61010-1)
MD 93/42/CEE Medical Devices



SOLTEC S.r.l. Via Castelbarco, 17 - 20136 Milano (Italy)
Tel. +39 0258308378 - Fax +39 0258308595
www.soltec.it - e.mail: info@soltec.it



CERTIFICATO N° 04100 20041419