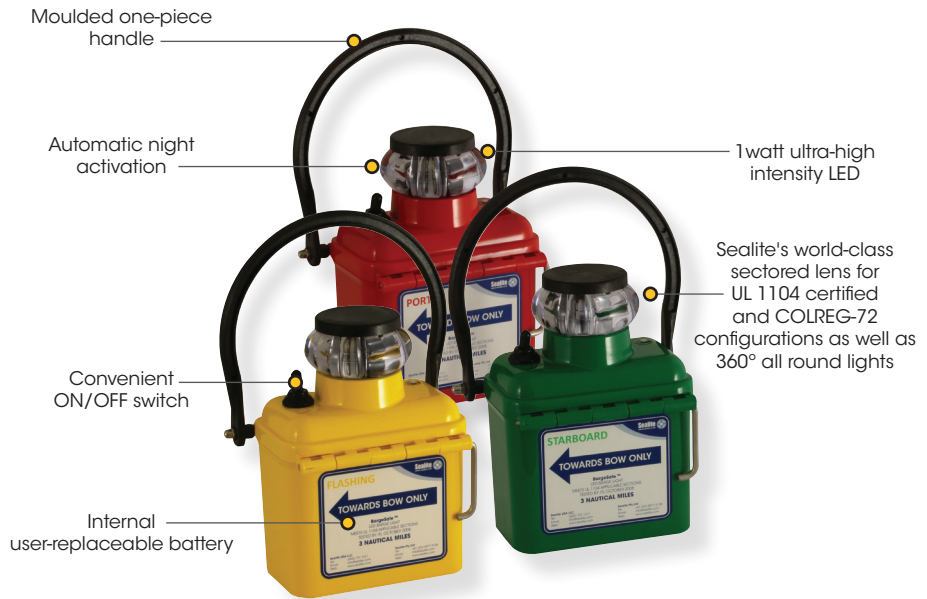


3NM Barge Light

BargeSafe™ 3NM



Available with optional Peep-Light



**Meets UL 1104
Applicable Sections for
a 3NM Barge Light &
COLREG-72 Compliant**

The Sealite Advantage

- Certified to UL 1104 & COLREG-72 photometrics
- LED technology
- Precise light sectoring achieved via Sealite's world-class in-house designed lens
- 3NM visible range
- Robust
- Installs in seconds
- Low power consumption
- Lightweight
- IP67 waterproof

The Sealite BargeSafe™ 3NM battery powered LED barge light is certified to UL 1104 and COLREG-72 compliant with >3NM visible range.

The LED barge light is one of the most advanced in its class, and incorporates a host of innovative features designed to make the unit extremely user-friendly.

The world-class LED lens is designed and manufactured by Sealite and achieves precise intensity and sectoring requirements from a single LED light source. This design helps achieve a lower operational current compared with alternative LED barge lights - making the unit ultra efficient and offering a battery run time of up to 45 nights.

The barge light casing and handle are injection-moulded from UV-stabilised polycarbonate - offering enormous impact resistance and long operational life. The casings are coloured for easy identification of light output colour.

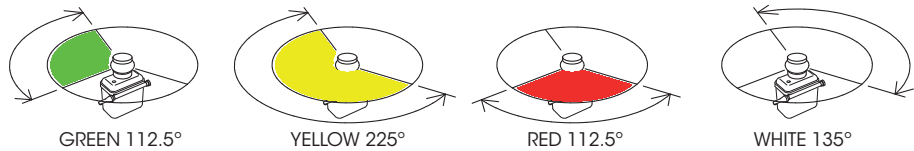
A magnetic base provides strong fixing in position to the barge deck.

All Round 360° Light Configuration

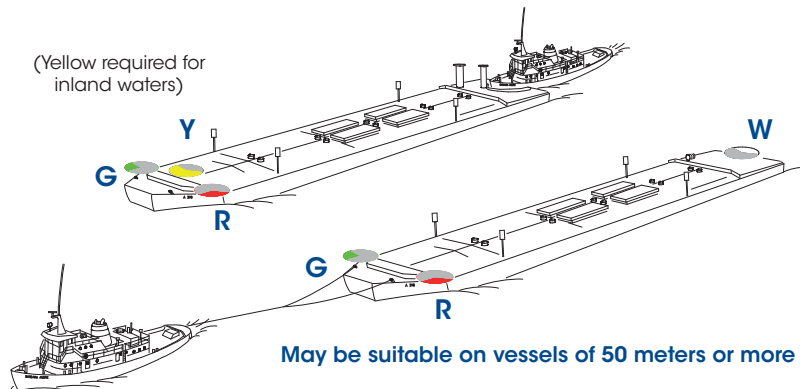
The Sealite BargeSafe™ 3NM is also available as a 360 degree all round light with either flashing or steady-on flash characteristics.

Optional Peep-Light

Sealite BargeSafe™ 3NM is available with an optional Peep-Light for the SL-BLY-3 masthead light to assist in the navigation of inland waterways. This blue steady-on light is used to guide mariners when manoeuvring the barge into dock and to help determine the swing of the bow when viewed from the stern. The Peep-Light comes standard with 12V rechargeable battery connection.



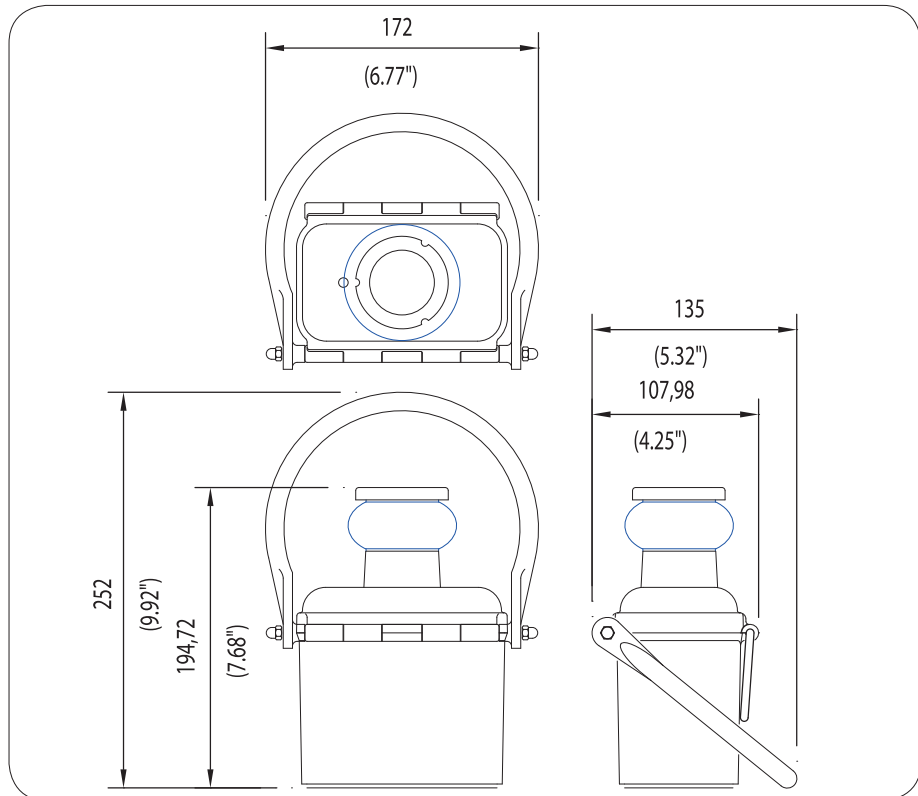
(Yellow required for inland waters)



May be suitable on vessels of 50 meters or more in length.

3NM Barge Light

BargeSafe™ 3NM



SPECIFICATIONS* * BargeSafe™ 3NM

Light Characteristics

Light Source
Available Colours
Maximum Available Intensity (cd)†
Visible Range (NM)
Horizontal Output (degrees)

1 x 1 watt ultra-high intensity LED (sectored configuration).
Red, Green, White, Yellow as per UL 1104 & COLREG-72
As per UL 1104 & COLREG-72
AT @ 0.74: >3NM as per UL 1104 & COLREG-72
AT @ 0.85: >3.5NM as per UL 1104 & COLREG-72
Red - 112.5° Green - 112.5° White - 135° Yellow - 225° as per
UL 1104 & COLREG-72.
As per UL 1104 & COLREG-72 (steady-on & flashing). All round flashing RED
>100,000

Flash Characteristics

LED Life Expectancy (hours)

Electrical Characteristics

Circuit Protection
Working Voltage Range (V)
Temperature Range

Integrated
4 - 16
-40 to 80°C

Power Supply

Battery Type
Battery Capacity (Ah)
Nominal Voltage (V)
Autonomy (days)

Air Alkaline (recommended)
45Ah (Air Alkaline)
6V (Air Alkaline)
>45

Physical Characteristics

Battery Housing
Lens Material
Lens Mount & Top
Lens Design

LEXAN® Polycarbonate - UV-stabilised

Acrylic
Anodised aluminium

Internal single LED cavity with individual sectoring compartments to meet
all UL 1104 & COLREG-72 angles for light output. Internal 3 x LED cavities to
suit 360° all round light configuration

Mounting
Height (mm/inches)
Width (mm/inches)
Depth (mm/inches)
Mass (kg/lbs)
Product Life Expectancy

4 x magnets
195 / 7⁷/₈
172 / 6⁷/₈
108 / 4¹/₄
1.5 / 3¹/₈
Up to 12 years

Certifications

Approvals
IALA
Quality Assurance
Waterproof

UL 1104, COLREG-72
Signal colours compliant to IALA E-200-1
ISO9001:2008
IP67

Intellectual Property

Trademarks

SEALITE® is a registered trademark of Sealite Pty Ltd
BargeSafe™ is a trademark of Sealite Pty Ltd
1 year

Warranty *



* Specifications subject to change or variation without notice
* Subject to standard terms and conditions
† Intensity setting subject to solar availability

BargeSafe™ Series

Order Codes



ORDER CODES: BargeSafe™ Solar 2NM	
SL-BLR-2-8AHR	BargeSafe™ Solar 2NM LED Barge Sidelight Port RED, 112.5° sector, 2NM as per UL 1104 applicable sections COLREG-72 compliant.
SL-BLG-2-8AHR	BargeSafe™ Solar 2NM LED Barge Sidelight Starboard GREEN, 112.5° sector, 2NM as per UL 1104 applicable sections. COLREG-72 compliant.
SL-BLW-2-8AHR	BargeSafe™ Solar 2NM LED Barge Light Stern WHITE, 135° sector, 2NM as per UL 1104 applicable sections COLREG-72 compliant.
SL-BLR-2-16AHR	BargeSafe™ Solar 2NM LED Barge Sidelight Port RED, 112.5° sector, 2NM as per UL 1104 applicable sections COLREG-72 compliant c/w 16Ah battery
SL-BLG-2-16AHR	BargeSafe™ Solar 2NM LED Barge Sidelight Starboard GREEN, 112.5° sector, 2NM as per UL 1104 applicable sections COLREG-72 compliant c/w 16Ah battery
SL-BLW-2-16AHR	BargeSafe™ Solar 2NM LED Barge Light Stern WHITE, 135° sector, 2NM as per UL 1104 applicable sections COLREG-72 compliant c/w 16Ah battery



ORDER CODES: BargeSafe™ Solar 3NM	
SL-BLSR-3	BargeSafe™ Solar 3NM LED Barge Sidelight Port RED, 112.5° sector, 3NM as per UL 1104 applicable sections COLREG-72 compliant
SL-BLSG-3	BargeSafe™ Solar 3NM LED Barge Sidelight Starboard GREEN, 112.5° sector, 3NM as per UL 1104 applicable sections COLREG-72 compliant
SL-BLSW-3	BargeSafe™ Solar 3NM Barge Stern/Towing WHITE, 135° sector, 3NM LED as per UL 1104 applicable sections COLREG-72 compliant
SL-BLSY-3	BargeSafe™ Solar 3NM LED Barge Masthead YELLOW, 225° sector, 3NM as per UL 1104 applicable sections COLREG-72 compliant
SL-BLSY-3-BC	BargeSafe™ Solar 3NM LED Barge Masthead YELLOW, 225° sector, 3NM as per UL 1104 applicable sections COLREG-72 compliant c/w bulgin connector for Peep-Light attachment (Peep-Light NOT included)
SL-BLS-3-360	All Round 360° BargeSafe™ Solar Light Configuration



ORDER CODES: BargeSafe™ 3NM	
SL-BLR-3	BargeSafe™ 3NM LED Barge Sidelight Port RED, 112.5° sector, 3NM as per UL 1104 applicable sections COLREG-72 compliant Excludes battery
SL-BLG-3	BargeSafe™ 3NM LED Barge Sidelight Starboard GREEN, 112.5° sector, 3NM as per UL 1104 applicable sections COLREG-72 compliant Excludes battery
SL-BLW-3	BargeSafe™ 3NM LED Barge Stern/Towing WHITE, 135° sector, 3NM as per UL 1104 applicable sections COLREG-72 compliant Excludes battery
SL-BLY-3	BargeSafe™ 3NM LED Barge Masthead YELLOW, 225° sector, 3NM as per UL 1104 applicable sections COLREG-72 compliant Excludes battery
SL-BLY-3-BC	BargeSafe™ 3NM LED Barge Masthead YELLOW, 225° sector, 3NM as per UL 1104 applicable sections COLREG-72 compliant c/w bulgin connector for Peep-Light attachment (Peep-Light NOT included) Excludes battery
SL-BL-3-360	All Round 360° BargeSafe™ Light Configuration