

13–19NM Long Range Lantern

SL-300 Series – SL-300-2D5-1 & SL-300-2D5-2



The SL-300-2D5 Series are 13 to 19NM long range marine lanterns with 2.5 degree vertical distribution, suitable for a range of applications.

High Intensity, Small Form Factor

The SL-300-2D5 series offers multiple intensity adjustments to over 46,000cd luminous intensity in a single tier (over 93,000cd in a 2-tier configuration). The small form factor provides minimal wind loading and convenient handling – delivering significant advantages over traditional larger lens stack assemblies.

Advanced Thermal Management

The SL-300-2D5 Series features precision lower, mid and upper heat sinking. The custom designed heat sinks are interconnected, and designed to maintain an appropriate LED temperature across a wide range of duty cycles, enabling the lanterns to run efficiently whilst maintaining a compact size.

Advanced PC or IR Programming

Sealite's convenient PC Configuration Tool or IR programmer allows a host of features to be user set including;

- Multiple intensity settings
- 310 flash settings including custom character
- Automatic effective intensity adjustment
- Adjustable on/off lux levels
- Low battery threshold
- GPS synchronisation offset
- Alarm conditions

Optional GPS Synchronisation

For flash synchronisation of lanterns a GPS module may be fitted.

Optional GSM Monitoring & Control

The SL-300-2D5 Series may also be fitted with a GSM module for monitoring and control – enabling users to access real-time diagnostic data and change lantern settings via cell-phone.



Precision upper heat sink



Shown with optional GPS antenna

The Sealite Advantage

- Over 46,000cd luminous intensity white - single tier
- Over 93,000cd luminous intensity white - two tier
- Compact two tier lantern up to 19NM visible range
- PC or IR Programmer for setup, diagnostic & testing
- Internal or external photocell options
- User configurable day/night lux levels
- Advanced remote monitoring features
- Wide operating voltage range 21–58VDC
- Internal data-logging for long term retention of key operational parameters & alarm conditions
- General purpose inputs (two) & outputs (two)

Technical Specifications*

| SL-300 Series | 2.5° Single Tier Model | 2.5° Two Tier Model |
|--|--|---|
| | SL-300-2D5-1 | SL-300-2D5-2 |
| Light Characteristics | | |
| Light Source | High efficiency LEDs | |
| Available Colours | White. Other colours available on request | |
| Typical Maximum Intensity (cd) [†] | White - 46,700 cd Red - 21,000 cd Green - 18,000 cd | White - 93,400 cd Red - 42,000 cd Green - 36,000 cd |
| Visible Range (NM) | AT @ 0.74: 13–17.5 AT @ 0.85: 19.2–26.9 | AT @ 0.74: 18–19 AT @ 0.85: 27.8–29.6 |
| Horizontal Output (degrees) | 0° - 360° | |
| Vertical Divergence (degrees) | >2.5 | |
| Available Flash Characteristics | Up to 310 including 256 IALA recommended, & 1 custom | |
| Intensity Adjustments | User adjustable | |
| LED Life Expectancy (hours) | >100,000 | |
| Electrical Characteristics | | |
| Voltage Range (V) | 24-48V DC | |
| Nominal Voltage (V) | 24V DC | |
| Peak Power (W) | 384 | 768 |
| Average Power (W) | 132 | 264 |
| Physical Characteristics | | |
| Body Material | Marine grade two part epoxy coating to resist the elements | |
| Lens Material | UV-stabilised acrylic | |
| Lens Diameter (mm/inches) | 298 / 11¾ | |
| Lens Design | Multiple LED optic | |
| Mounting | 3 & 4 hole 200mm bolt pattern | |
| Height (mm/inches) | 216 / 8½ | 342 / 13¾ |
| Width (mm/inches) | 298 / 11¾ | 298 / 11¾ |
| Mass (kg/lbs) | 8.8 / 19% | 18 / 39% |
| Product Life Expectancy | Up to 12 years | |
| Environmental Standards | | |
| Shock | MIL-STD-202-213 Test condition H | |
| Vibration | MIL-STD-202-204 Test Condition B (5g) | |
| Ice Loading | Rated to withstand 22kg/m2 | |
| Temperature Range | -40 to 80°C | |
| Wind Exposure | Rated to withstand 140 knots | |
| Humidity | 0 - 100%, condensing | |
| Driving Rain | at 45° from vertical | |
| Certifications | | |
| Immunity | EN 61000-6-1: 2007 (IEC61000-6-1: 2005). | |
| Emission | EN 61000-6-4: 2007 (IEC 61000-6-4: 2006) + A1: 2001 | |
| FCC Part 15 Rules | IFCC Part 15 Subpart B | |
| IALA | Signal colours compliant to IALA E-200-1 | |
| Quality Assurance | ISO 9001:2015 | |
| Waterproof | IP68 | |
| Intellectual Property | | |
| Trademarks | SEALITE® is a registered trademark of Sealite Pty Ltd | |
| Warranty* | | |
| 3-year warranty | | |
| Options Available | | |
| <ul style="list-style-type: none"> • GPS Synchronisation • AIS Type 1 or Type 3 • GSM Monitoring & Control System • RS232/422/485 Port • General purpose inputs (2) & outputs (2) • Variety of solar/battery configurations <ul style="list-style-type: none"> • Bird deterrent spikes • Serial programming cable | | |

*AIS option will be with external Type 1 or Type 3 AIS transponder

*Refer to the Sealite website under the warranty section

We believe technology improves navigation™



Sealite Pty Ltd
Australia
☎ +61 (0)3 5977 6128

Sealite Asia Pte Ltd
Singapore
☎ +65 6829 2243

Sealite United Kingdom Ltd
UK
☎ +44 (0) 1502 588026

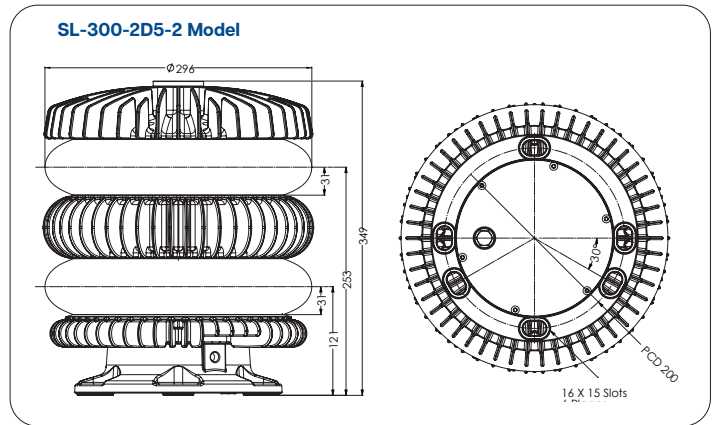
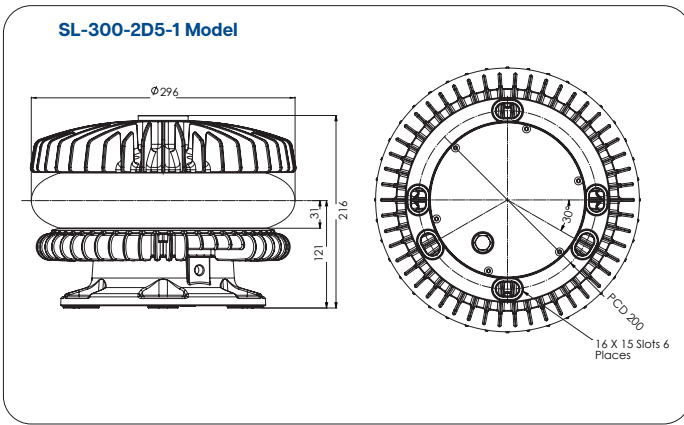
Sealite USA LLC
USA
☎ +1 (603) 737 1311



Specifications subject to change or variation without notice * Subject to standard terms and conditions † Intensity setting subject to solar availability



Technical Illustrations



HOW TO ORDER

13–19NM Long Range Lantern

SL-300-2D5-[tiers]-[colour]-[?]-[?]

Product No.: _____

Model: _____
2D5 = 2.5° Divergence

Tiers: _____
1 = Single tier
2 = Two tier

Colour: _____
W = White
(other colours available on request)

Monitoring & Control: _____
GSM = GSM
GPS = GPS Synchronisation
AIS1 = AIS Type 1
AIS3 = AIS Type 3
[blank] = No monitoring & control

RS Communications Port: _____
RS = RS communications port
[blank] = No RS communications port

Note: Please contact your Sealite representative for optional power supply solutions

HOW TO ORDER

Solar Power Supply

SL-PS-110-140-01

Product No.: _____

Battery Capacity: _____
110 = 110 Ah

Solar Output: _____
140 = 140 watts

Mount Type: _____
01 = post mount

We believe technology improves navigation™



Sealite Pty Ltd
Australia
+61 (0)3 5977 6128

Sealite Asia Pte Ltd
Singapore
+65 6829 2243

Sealite United Kingdom Ltd
UK
+44 (0) 1502 588026

Sealite USA LLC
USA
+1 (603) 737 1311

