

This equipment complies with requirements of the U.S. Coast Guard in 33 CFR Part 66 as well as 33 CFR Part 67 for Class 'C' structures

Optional



GPS Sync

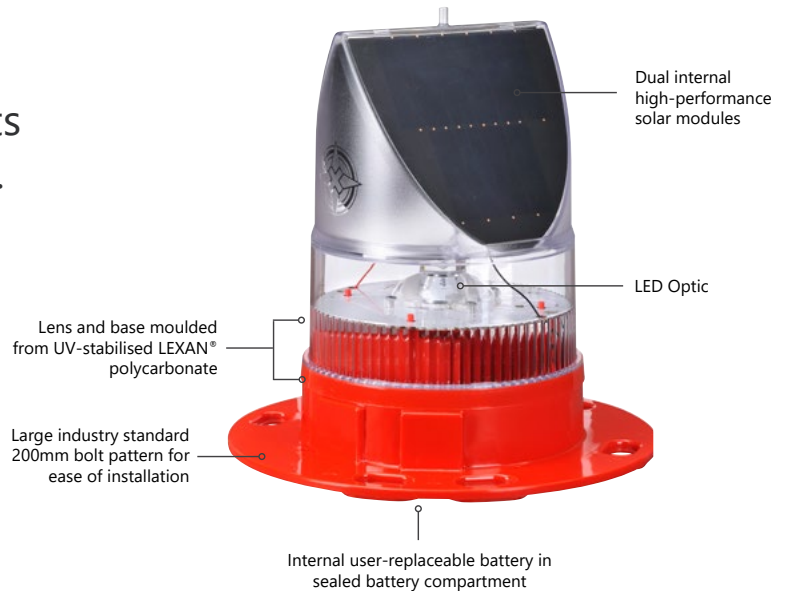


IR Programmer

The **SL-70** is an exceptional 2-3NM+ compact marine lantern. Its dual panel design is unique in its ability to 'track the sun' and operate reliably in low sunlight environments such as the UK, Canada and Europe.

Key Features:

- Intensity Range of 2-3NM+
- Dual high performance solar modules, angled for maximum sunlight capture
- Enhanced Optics
- GPS synchronisation as an option
- Larger battery pack as an option



Intensity Range

The SL-70 compact marine lantern utilises leading technology LEDs for a visible range of 2-3NM+.

Dual High Performance Solar Modules

Angled solar modules obtain maximum sunlight capture, allowing the unit to operate reliably in a range of low sunlight environments.

GPS Synchronisation (optional)

Synchronise two or more lanterns to flash in unison via an internal GPS module. Synchronised flash helps to clearly distinguish from other aids to navigation and background lighting - ideal for rivers, marina entrances, channel marking and aquaculture applications.

Light Configuration (optional)

High sunlight regions can adjust the intensity of the SL-70 to achieve a range >3 NM (colour dependent).

SL-70_DATA_EN_V2.1

Larger Battery Pack (optional)

A larger 16Ah battery pack is available for regions where additional autonomy is required.

Easy to Install

The SL-70 lantern can be installed in minutes. Flash characters are easily adjusted on-site using standard rotary switches or optional IR programmer. An external ON/OFF switch allows for easy storage.





SL70

Light Characteristics

Light Source	LED
Available Colours	Red, Green, White, Yellow, Blue
Typical Maximum Intensity (cd) [†]	Red - 24.7 Green - 26.6 White - 29.2 Yellow - 18.8
Visible Range (NM)	AT @ 0.74: 2-3+ AT @ 0.85: 2.3-3.5+
Horizontal Output (degrees)	360
Vertical Divergence (degrees)	7
Available Flash Characteristics	Up to 256 IALA recommended (user adjustable)
Intensity Adjustments	Multiple intensity settings
LED Life Expectancy (hours)	>100,000

Electrical Characteristics

Current Draw (mA)	Refer to Sealite Power Calculator
Circuit Protection	Integrated
Nominal Voltage (V)	3.6
Autonomy (days)	>30 (14 hour darkness, 12.5% duty cycle)
Temperature Range	-40 to 80°C

Solar Characteristics

Solar Module Type	Monocrystalline
Output (watts)	3.5 (2 x 1.75watt)

Power Supply

Battery Type	High grade NiMH
Battery Capacity (Ah)	8
Nominal Voltage (V)	3.6

Physical Characteristics

Body Material	LEXAN® Polycarbonate – UV-stabilised
Lens Material	LEXAN® Polycarbonate – UV-stabilised
Lens Diameter (mm/inches)	150 / 5 7/8
Lens Design	Single LED Optic
Mounting	200mm bolt pattern
Height (mm/inches)	240 / 9 1/2
Width (mm/inches)	231 / 9 1/8
Mass (kg/lbs)	
SL-70 (standard)	1.4 / 3 1/8
SL-70-16AH (larger battery)	1.6 / 3 1/2
Product Life Expectancy	Up to 12 years ^

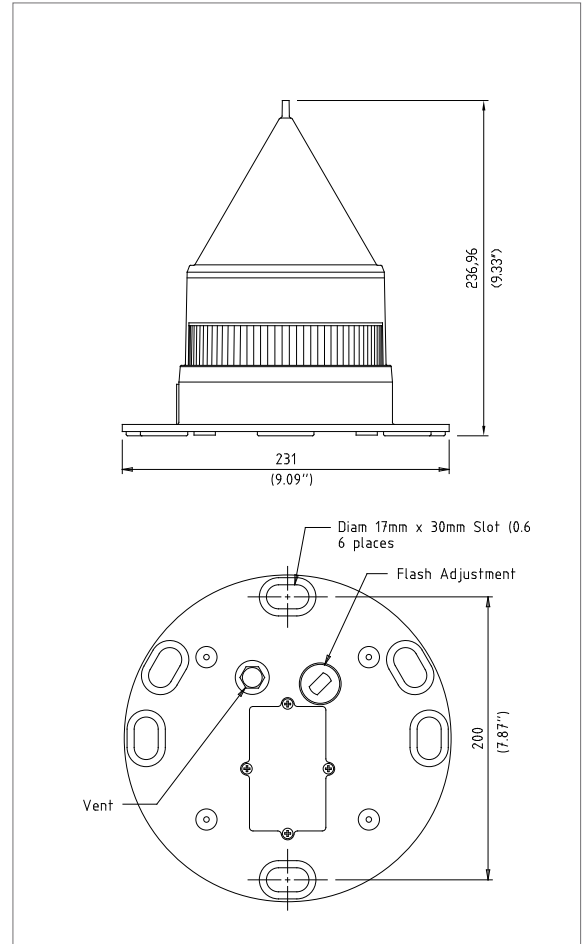
Compliance

CE	EN61000-6-1:2007, IEC61000-6-1:2005, EN61000-6-3:2007, IEC61000-6-3:2006
IALA	Signal colors compliant to IALAE-200-1
Ingress Protection	IP68

Intellectual Property

Trademarks	SEALITE® is a registered trademark of Sealite Pty Ltd
Warranty *	3 years
Options Available	<ul style="list-style-type: none"> • IR Programmer • GPS Synchronisation • External ON/OFF Switch • 16Ah battery • 50mm pole mount adapter plate

Technical Illustrations



Internal user-replaceable battery in sealed battery compartment



- Specifications subject to change or variation without notice
- * Subject to standard terms and conditions
- † Intensity setting subject to solar availability
- ^ Refer to the Sealite website under the warranty section

SL-70_DATA_EN_V2.1