

EMS Helipad Kit

AV-HP-EMSKIT

Features

- Range in excess of 2 miles (4km)
- Easy to configure & deploy
- Long-life, user-replaceable battery
- Ultra-high intensity LEDs
- Magnetic bases hold the lights securely in place
- Easy-to-handle case
- Robust, high impact & lightweight construction
- IP67 waterproof rating
- ON/OFF switch for easy activation
- Flashing white light with integrated IR (infrared) provides NVG signature
- Available in two configurations suitable for either large or smaller helicopter landing areas
- Designed to comply with ICAO Annex 14 requirements (AV-HP-EMSKIT-9)



The Avlite EMS portable helipad lighting kit is ideal for medivac and other emergency situations where a temporary landing area is needed and can be easily configured and deployed to suit local requirements.

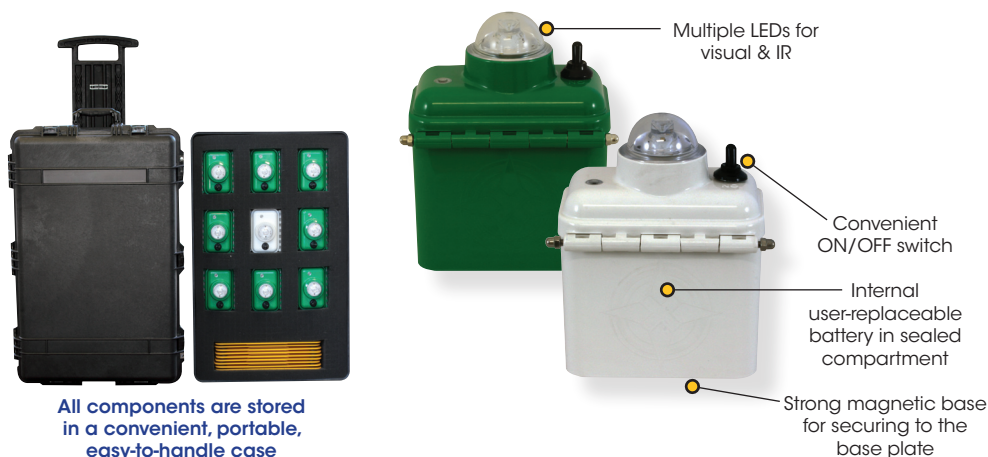
The Avlite EMS Helipad Kit provides temporary lighting at emergency landing zones. The helipad lights have a minimum range of 2 miles (4km) and an autonomy in excess of 750 hours. The lights have a strong magnetic base to hold them securely on the steel base plates provided, preventing them from being dislodged by rotor wash. The steel plates come in high visibility aviation yellow.

The batteries are easily replaced by the user and the kit comes standard with high powered, readily available, air alkaline batteries.

All components are neatly housed in a sturdy storage case on wheels for easy and convenient transportation.

The kit is available in two configurations. The AV-HP-EMSKIT-5 can be used when maximum portability is required and offers NVG support for smaller helicopters. It contains four steady burning green visible/IR (infrared) lights, one flashing white visible/IR (infrared) light and mounting plates all stored in a portable case.

The AV-HP-EMSKIT-9 has been designed to comply with ICAO Annex 14 requirements and offers full NVG support. It consists of four steady burning green visible/IR (infrared) lights, one flashing white visible/IR (infrared) light, mounting plates and portable storage case.



All components are stored in a convenient, portable, easy-to-handle case

EMS Helipad Kit

AV-HP-G-EMSKIT

SPECIFICATIONS * *

AV-HP-EMSKIT

Light Characteristics

Light Source

AV-HP-EMSKIT-5 Model:
4x Green/IR lights with 1 watt ultra-high intensity LED & 3x IR high intensity LEDs
1x White/IR light with 1 watt ultra-high intensity LED & 3x IR high intensity LEDs
AV-HP-EMSKIT-9 Model:
8x Green/IR lights with 1 watt ultra-high intensity LED & 3x IR high intensity LEDs
1x White/IR light with 1 watt ultra-high intensity LED & 3x IR high intensity LEDs
Green, White/IR

Available Colours

LED Life Expectancy (hours)

Electrical Characteristics

Voltage (V)

Temperature Range

Power Supply

Battery Type

Battery Capacity (Ah)

Nominal Voltage (V)

Physical Characteristics

Battery Housing

Lens Material

Lens Design

Mounting

Height (mm/inches)

Width (mm/inches)

Depth (mm/inches)

Mass (kg/lbs)

Certifications

Quality Assurance

Waterproof

Intellectual Property

Trademarks

Warranty *

6

-40 to 80°C

Air Alkaline

45

6V

LEXAN® Polycarbonate - UV stabilized

Acrylic

Total Internal Refraction

2 x magnets

180 / 7

146 / 5¾

108 / 4¼

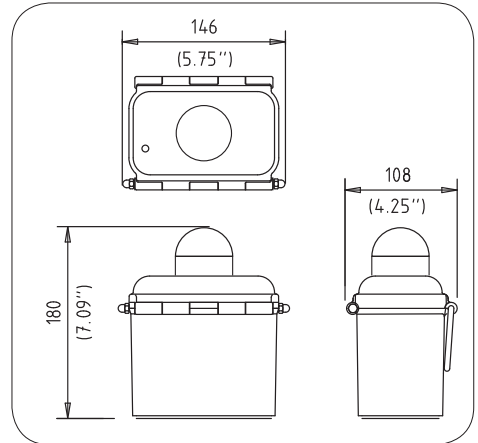
1.5 / 3¼

ISO9001:2008

IP67

AVLITE® is a registered trademark of Avlite Systems

1 year



How to Order

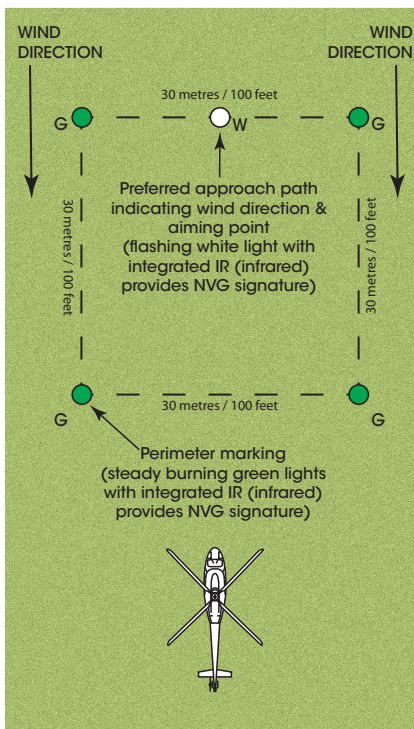
Product No.

AV-HP-EMSKIT-5

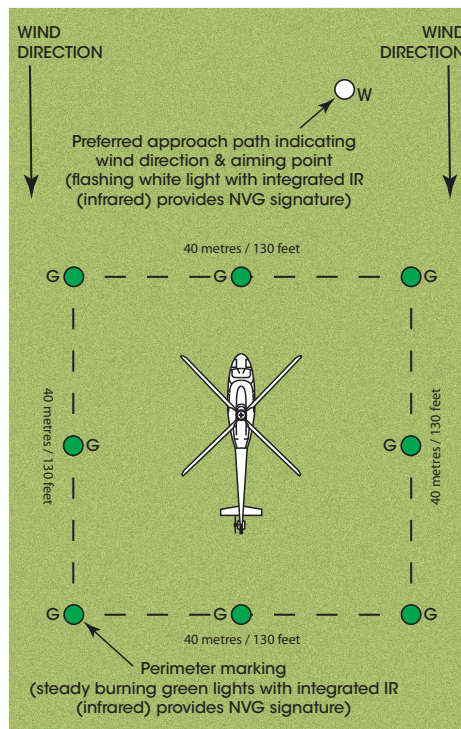
- 4x steady-on green with IR helipad lights
- 1x flashing white with IR helipad light
- 5x steel mounting plates
- Storage case

AV-HP-EMSKIT-9

- 8x steady-on green with IR helipad lights
- 1x flashing white with IR helipad light
- 9x steel mounting plates
- Storage case



AV-HP-EMSKIT-5 with 4x steady-on green/IR helipad lights & 1x white/IR helipad light



AV-HP-EMSKIT-9 with 8x steady-on green/IR helipad lights & 1x white/IR helipad light

